



FEATURES

Type	N.G. Direct Vent
Valve System:	Millivolt
Screen Front:	Prairie
Glass:	Ceramic
Log Set:	Included
BTU NG High/Low:	26,500 / 17,500
Viewing Area:	29 1/4" w x 23 3/4" h

Kozy Heat Bayport 36

Energy-efficient ceramic glass, straight forward to install, easy to operate and provides an exceptional level of heat output.

DETAILS

Model:	BAY-36-MV
SKU:	8381

Scan For Live Burn
Videos & Manuals



Sophisticated Aesthetic

\$3,279

*Price includes basic fittings and 46DVA pipe. Unusual installations may require additional fittings and pipe. See sales associate for basic pack details. Prices subject to change without notice.

PREMIUM

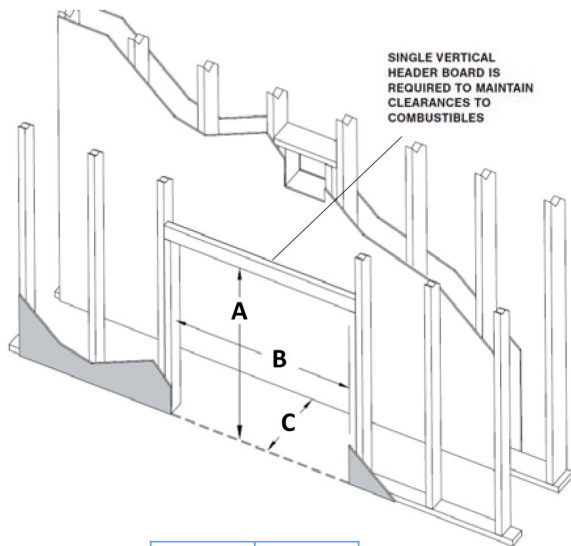
Please leave these reference guides at the installation location until the installation is finished. See owners manual for full installation and finishing instructions before making final decisions as information is subject to change.

Specifications (all measurements are in inches)

• GAS LINE OPENING: RIGHT SIDE • ELECTRICAL ACCESS: LEFT SIDE

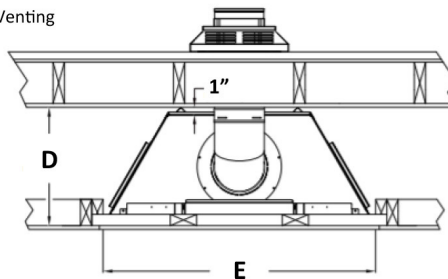
Model	BTU	Height		Front Width		Back Width		Depth		Glass Viewing Area
		Actual	Framing	Actual	Framing	Actual	Framing	Actual	Framing	
BAY-36 (all versions)	26,500	32	42	35-3/4	36-1/4	18-7/8	36-1/4	15-13/16	15-7/8	29-1/4 x 23-3/4

Framing Opening

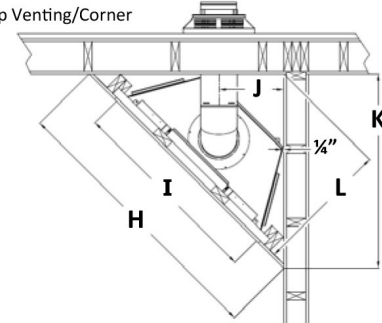


Dimension	BAY-36
A	42
B	36-1/4
C	15-7/8

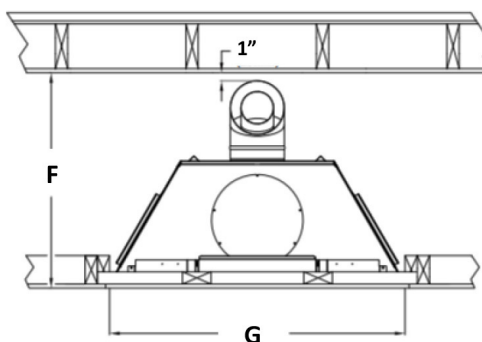
Top Venting



Top Venting/Corner

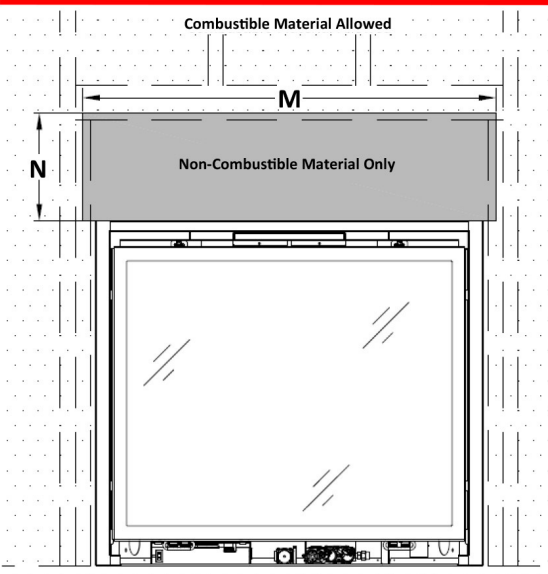


Rear Venting



Dimension	BAY-36
D	16-1/4
E	36-1/4
F	26-1/2
G	36-1/4
H	50-7/16
I	36-1/4
J	11-7/8
K	35-5/8
L	24-11/16

Finishing Clearances



Dimension	BAY-36
M	37-3/4
N	10-1/2

Finish Trim Kit



Important! If you are finishing around the fireplace with tile or stone make sure that you install the **Finishing Trim Kit** at the framing stage.

The trim kit allows for your finishing board and your tile/stone to finish up against, creating a shadowbox for the face to sit inside.

Do not use with *RSF* fronts, all other fronts apply.